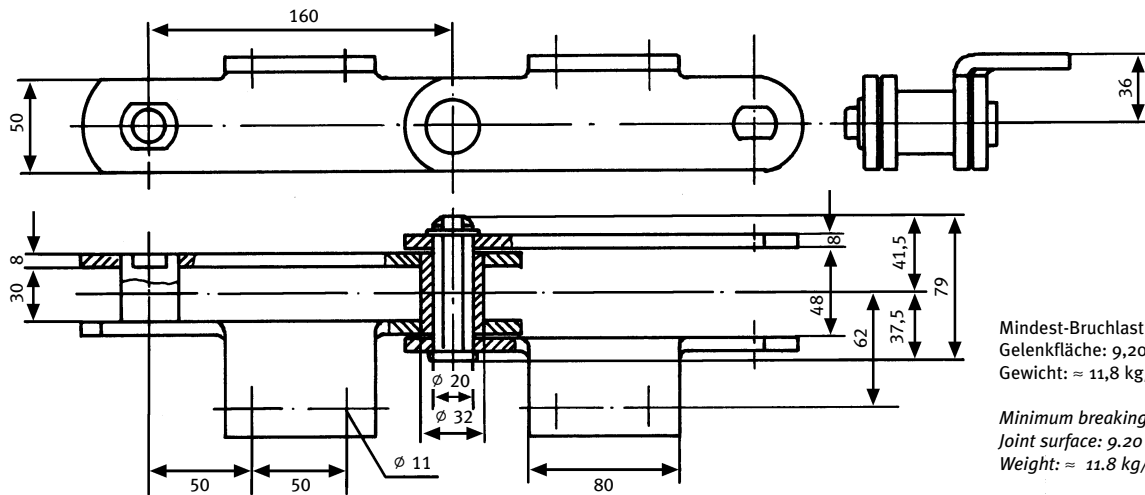


Laschenkette 160 x 30 / Link plate chain 160 x 30

Maße in mm / Dimensions in mm

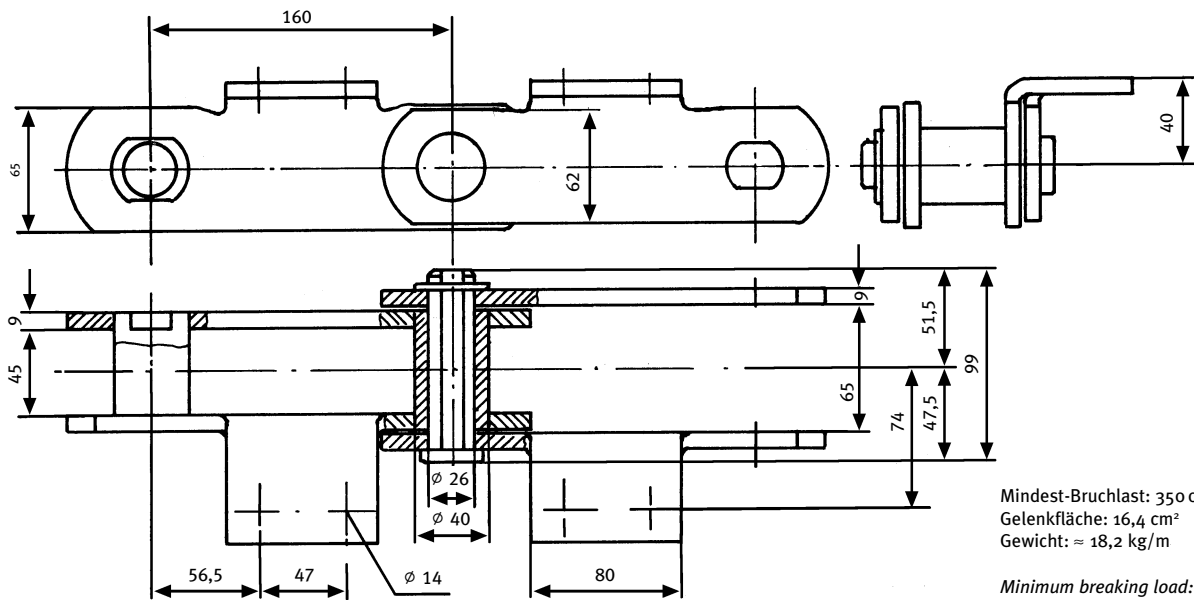


Mindest-Bruchlast: 220 000 N  
 Gelenkfläche: 9,20 cm<sup>2</sup>  
 Gewicht: ≈ 11,8 kg/m

Minimum breaking load: 220,000 N  
 Joint surface: 9.20 cm<sup>2</sup>  
 Weight: ≈ 11.8 kg/m

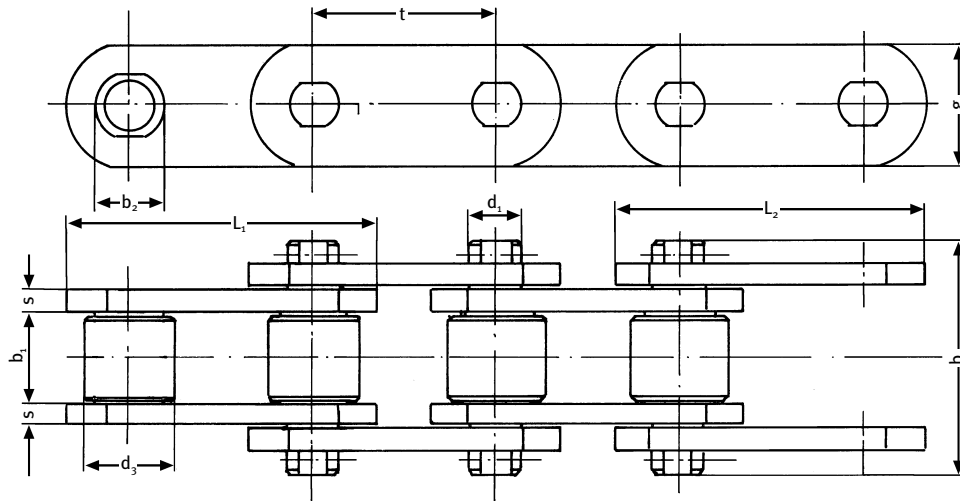
Laschenkette 160 x 45 / Link plate chain 160 x 45

Maße in mm / Dimensions in mm

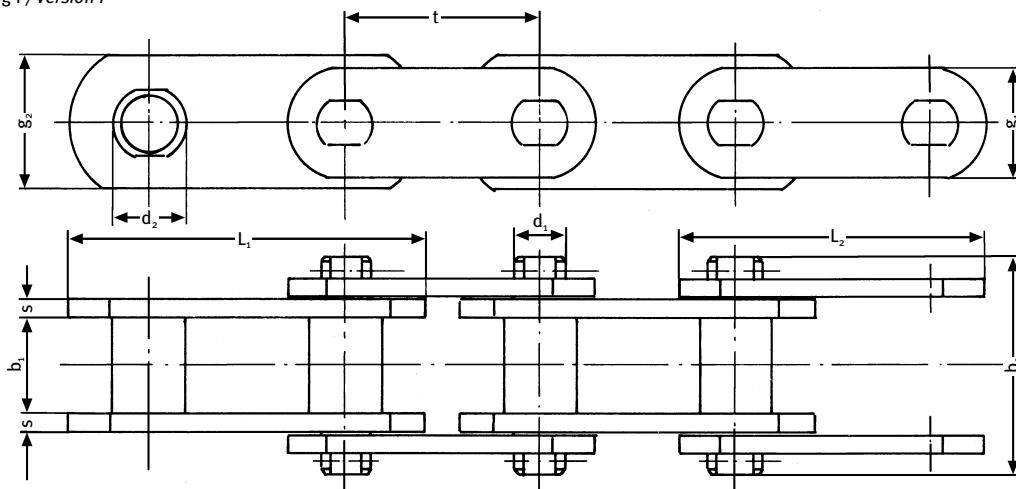


Mindest-Bruchlast: 350 000 N  
 Gelenkfläche: 16,4 cm<sup>2</sup>  
 Gewicht: ≈ 18,2 kg/m

Minimum breaking load: 350,000 N  
 Joint surface: 16.4 cm<sup>2</sup>  
 Weight: ≈ 18.2 kg/m



Ausführung I / Version I



Ausführung II / Version II

Maße in mm / Dimensions in mm

| t             | b <sub>1</sub> | b <sub>2</sub> | d <sub>1</sub> | d <sub>2</sub> | d <sub>3</sub> | g <sub>1</sub> | g <sub>2</sub> | s  | L <sub>1</sub> | L <sub>2</sub> | Ausführung<br>Version |
|---------------|----------------|----------------|----------------|----------------|----------------|----------------|----------------|----|----------------|----------------|-----------------------|
| DIN 8176      |                |                |                |                |                |                |                |    |                |                |                       |
| 100           | 50             | 120            | 22             | 32             | 50             | 60             | -              | 10 | 170            | 160            | I                     |
| 120           | 60             | 145            | 36             | 50             | -              | 80             | 80             | 12 | 220            | 205            | II                    |
| 160           | 80             | 186            | 42             | 60             | -              | 90             | 110            | 15 | 290            | 270            | II                    |
| DIN Berg 2251 |                |                |                |                |                |                |                |    |                |                |                       |
| 100           | 50             | 127            | 24             | 32             | 50             | 60             | -              | 12 | 175            | 175            | I                     |
| 120           | 60             | 153            | 34             | 44             | 65             | 80             | -              | 15 | 220            | 220            | I                     |

